

ADITYA ENGINEERING COLLEGE (A)

UNIT-V

Dr. N. RADHA

Associate Professor

Department of Electronics and Communication Engineering

Aditya Engineering College (A)

Email: radha.nainavarapu@aec.edu.in

555 TIMER

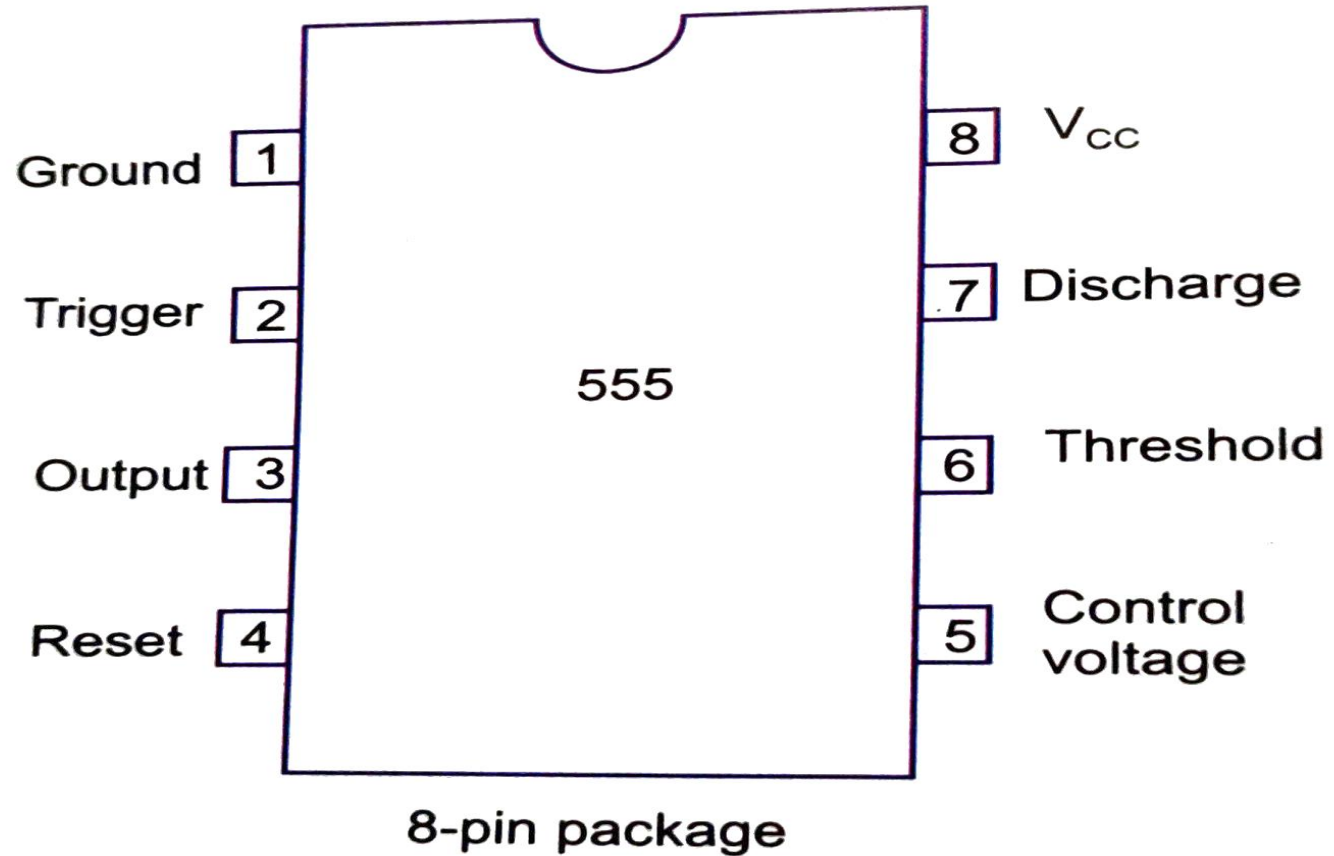


Fig. 8.1 Pin diagram

555 TIMER

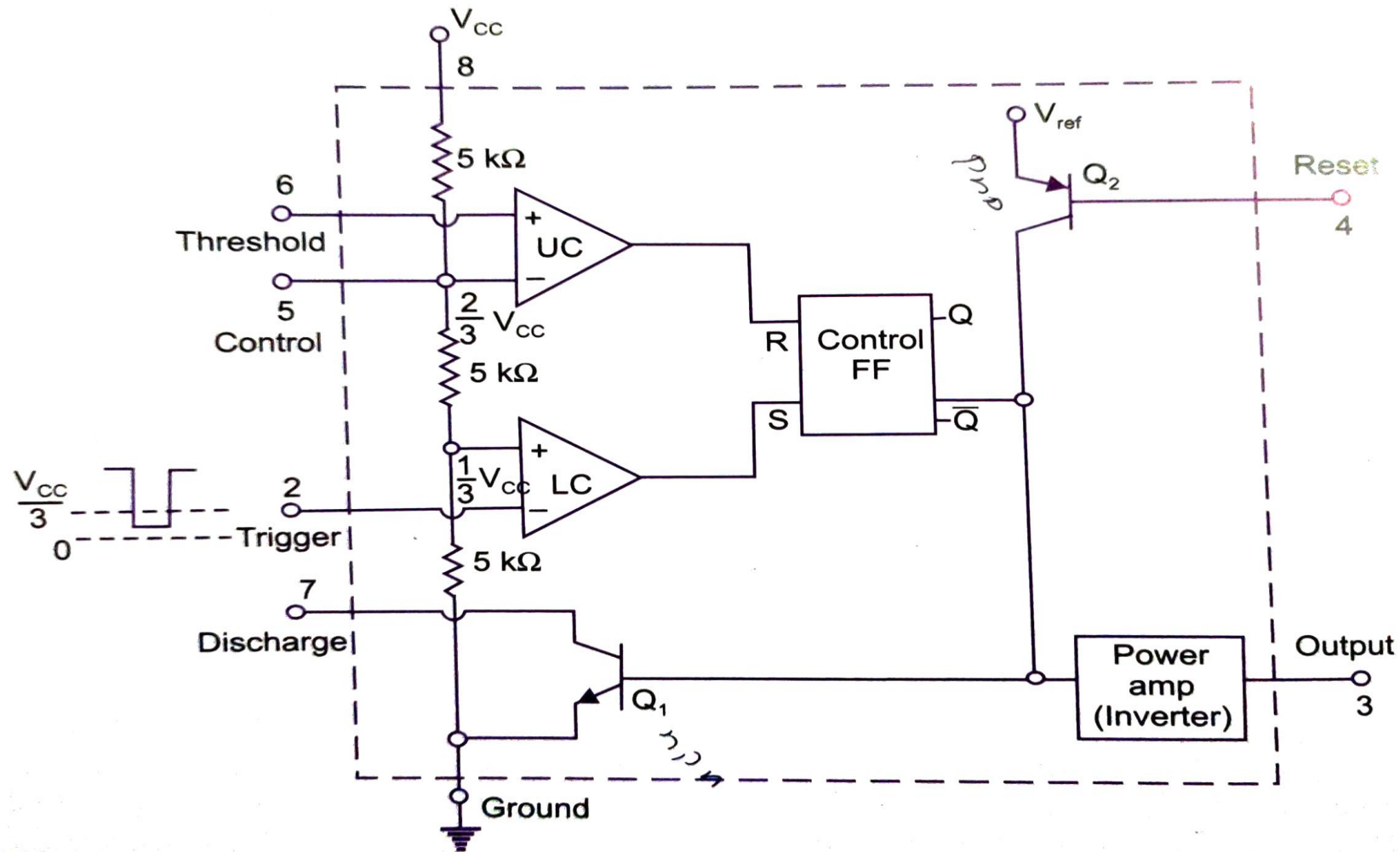


Fig. 8.2 Functional diagram of 555 timer

555 TIMER

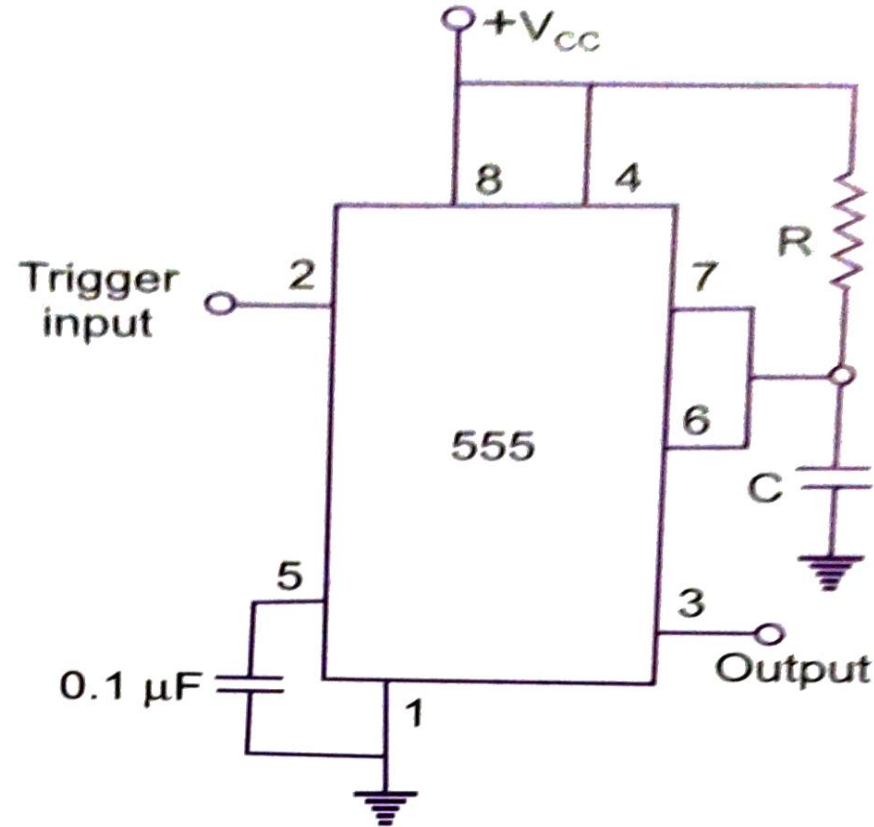


Fig. 8.3 Monostable multivibrator